



IsatDock PRO Quick Start Guide



Suitable for the IsatPhone Pro



www.beamcommunications.com

Fax: +61 3 9560 9055

Tel: +61 3 8588 4500

Support: support@beamcommunications.com

Information: info@beamcommunications.com

Web: www.beamcommunications.com

Victoria, 3170, AUSTRALIA

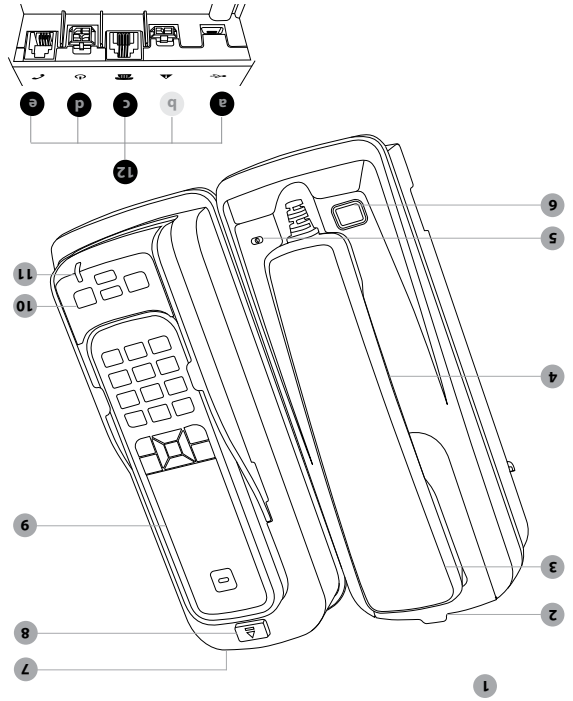
8 Anzed Court, Mulgrave

BEAM Communications

Pro

Equipment Overview

1. IsatDock PRO unit
2. Mounting Cup (spring or springless cup options)
3. Privacy Handset
4. Speaker (under handset)
5. Speakerphone Microphone
6. Speakerphone Button
7. Key lock
8. IsatPhone Eject Button
9. IsatPhone Pro (not included)
10. Function Buttons
11. STATUS Indication Light
12. Back Panel Connectors
 - a. USB Data Interface
 - b. Alert loop connection - not in use
 - c. RJ11/POTS interface
 - d. DC power and accessory input
 - e. R99 Privacy handset



2. Specification Summary

Average Power Consumption Current @ 12V		Watts	
Power w/o IsatPhone Pro	130mA	1.6W	
Standby + Charging	360mA	4.3W	
Transmit + Charging	875mA	10.5W	
Sleep Mode	5mA	60mW	
Peak Current	3.5A	42W	
Physical Specifications			
Dimensions	270 x 189 x 101 (mm)	10.6 x 7.4 x 4 (inches)	
Weight - dock	1445g	3.19lbs	
Total Kit Weight	2445g	5.39lbs	
Environment Specifications			
Operating Range	-30°C to +70°C	-22°F to +158°F	
Storage	-35°C to +85°C	-31°F to +185°F	
Battery Charging Temp*	0°C to +45°C	+32°F to 113°F	
Humidity			<= 75% RH

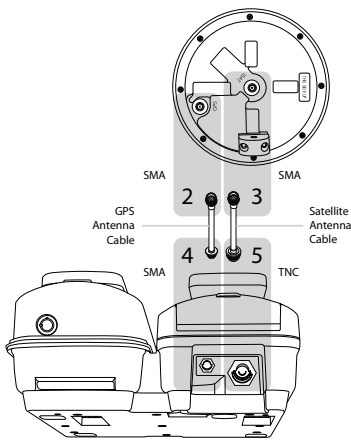
Connectors / Interfaces	
POTS/RJ11	RJ11/2-wire, 5REN @ 600m, Adjustable dial, ring, busy tone configured frequency and adaptive impedance.
Imarsat Antenna	TNC-Female
GPS Antenna	SMA-Female
10-32 V DC	4-way microFit (AC/DC adaptor, or DC lead)
Privacy Handset Port	R99 connector
Configuration/Data*	USB Micro
Speakerphone	In-built speaker/microphone

* It is ideal for the ambient temperature to be approximately 18 degrees below the 45°C upper limit for the handset to charge the battery whilst docked.

3. Inmarsat Antenna Connection

The two external antenna connectors can be found in the cavity at the top of the IsatDock PRO cradle. There are two RF connections required, the Satellite TNC – Female Connector and GPS SMA-Female connector.

1. Refer to the antennas installation guide for antenna mounting and location requirements.
2. Connect the antenna cable labelled "GPS" to the antenna connector labelled "GPS" via the SMA connector.
3. Connect the antenna cable labelled "Inmarsat" to the antenna connector labelled "ISAT" via the SMA connector.
4. Connect the GPS-SMA (F) cable end to the IsatDock's SMA connector.
5. Connect the GPS - TNC (F) antenna cable end to the IsatDock's satellite connector.



WARNING

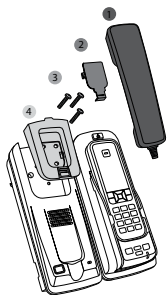
Changes or modifications not expressly approved by Beam Communications could void the user's authority to operate the equipment.

WARNING

To satisfy FCC RF exposure requirements for mobile transmitting devices, a separation distance of 55 cm or more should be maintained between the antenna of this device and persons during device operation. To ensure compliance, operations at closer than this distance is not recommended.

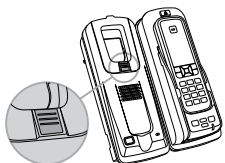
4. Privacy Handset and Mounting Cup

There are two options for the privacy handset mounting cup depending upon the environment or condition where the docking unit is mounted. (1) springless cup for stationary use vertical or horizontal position. (2) spring cup for rough conditions.



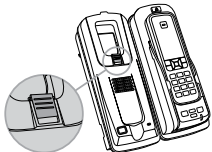
(1) Springless Cup for Normal light-use

Desk mounted cradle position.
The 'springless' cup is fitted to the docking station with the mounting clip in a 'flush' position.



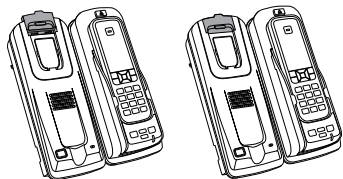
Wall mounted cradle position.

The mounting clip can be slid out and reversed, producing a protruding point that the Privacy handset rests upon. For a wall mounted docking station this retains the privacy handset and the springless cup has enough height to allow the handset to rise up off the clip and out of the mounting cup.



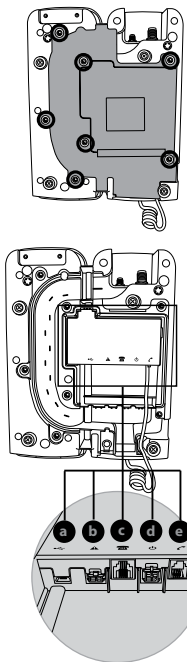
(2) Spring Cup - Heavy duty use cup

In harsh environments, the Privacy handset is actively retained in the mounting cup. This is achieved by using the 'spring' mounting cup. To remove the handset from the cup, the phone is lifted up against the pressure of the spring until it clears the lower mounting pip and can be removed from the docking station.



5. Access to rear connector bay

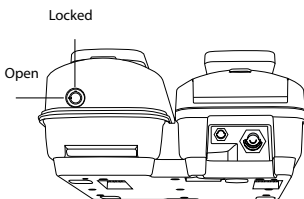
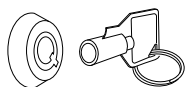
For the IsatDock MARINE, the external cable interfaces are at the rear of the docking station. The cover panel creates the IP rating for the electrical interface and retains the cables in their respective channels. The cover panel is fixed in place by 7 screws.



- a. USB Data Interface
- b. Alert loop connection - NOT IN USE
- c. RJ11/POTS interface
- d. DC power and accessory input
- e. RJ9 Privacy handset

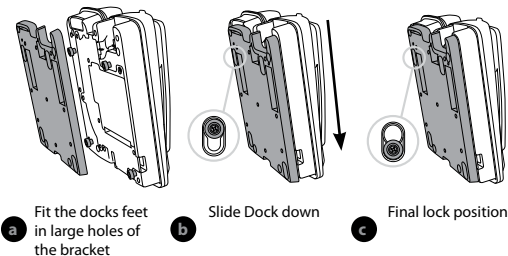
8. IsatPhone Key Lock

A barrel type lock is situated in the top of the dock. When locked, the eject button cannot be depressed and the IsatPhone Pro. Once locked, the access to the security bolt beneath the handset is also denied thus ensuring the MARINE docking station cannot be removed from their mounting bracket.



6. Mounting Orientation

There are four keyhole shaped slots in the mounting bracket that mate with feet on the rear of the plastics. To attach the bracket, the larger end of the keyhole will pass over the feet. The bracket is then slid up to lock the feet into the narrow section of the keyhole.



The IsatDock MARINE can be mounted either flat on a desk or vertically to a wall. When wall mounting the docking station, the wall bracket is first screwed to the wall and the dock is slid into place. Two security pins are then slid into place locking the dock to the wall.

The docking station can be elevated in the desk mounted orientation by two retractable feet included in the mounting bracket.



NOTE:

For extensive mounting instructions please refer to your IsatDock Pro Manual.

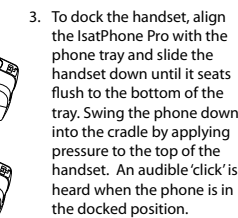
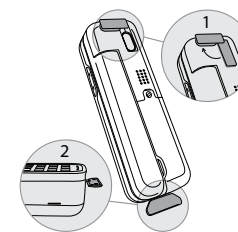
9. IsatDock MARINE Front Panel

Location	Button Mode	Action	LED/Sound
	Redial (1 second)	Out of Call: Redial previous number dialed.	N/A
OR	Up/Down	In a Call: Increase/decrease volume on the internal hardware or privacy handset. Out of Call: Increase/decrease volume of incoming ring tone on the internal hardware speaker.	Audio will sound louder/quieter in privacy handset with each press. A beep will sound indicating the increased/decreased ring tone volume .
	Mute press (1 second)	In a Call: Mute the microphone (uplink) on the privacy handset	LED turns RED - Muted LED turns OFF - Not muted LED flashing Yellow - RJ11/POTS in use
	Brightness dual button simultaneous press (1 second)	Out of Call: Enter LED brightness change mode. Press UP and DOWN arrows to vary intensity. Mode will automatically exit after 5 seconds after the last button press.	All LED's will change to WHITE and a single beep will sound when entering brightness change mode. A short double beep will sound when exiting change mode.
	Speakerphone press ON/OFF	In a Call: Terminate call if speakerphone mode is active. Activate speakerphone mode if Privacy Handset mode is active. Out of Call: Answer inbound call in speakerphone mode	LED turns GREEN - Speakerphone mode active LED turns OFF - Speakerphone mode not active

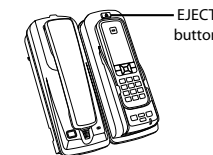
7. Docking and Un-docking your IsatPhone Pro

To place the IsatPro Phone into the docking unit, both the 'covers' on the external antenna connectors and the USB/Audio connectors need to be opened.

1. The antenna 'cover' must be placed at 90 degrees to the antenna connector cavity and run parallel to the top edge of the phone.
2. The 'cover' in the base of the phone should be in the 90 degree opened position.



3. To dock the handset, align the IsatPhone Pro with the phone tray and slide the handset down until it seats flush to the bottom of the tray. Swing the phone down into the cradle by applying pressure to the top of the handset. An audible 'click' is heard when the phone is in the docked position.



4. To remove the handset from the cradle, press the EJECT button at the top of the docking station. The dock will swing out and the handset can be removed.